

SIPP Node 2000 and 5000

Safe Indication of Petroleum Products

Installation Instructions

English version

Table of contents _____

1	Preparations	3
2	Tools.....	3
3	Consumables	3
4	Installation	4
4.1	Mounting on rim, only possible for SIPP Node 2000	4
4.2	Mounting on wall / splinter	4
4.3	Mounting of unit.....	4
5	Electrical installation	6
6	Commissioning.....	7 6
7	Documentation.....	7 6

← **Formaterat:** Tabbstopp: 6,06 cm, Till vänster

1 Preparations

- Check and classify the pit status in the installation protocol. If the pit is in poor condition, cancel the installation, comment in the installation protocol and notify the customer. NEVER install and commission a unit where cleaning is necessary.
- Check the station: the position of the draining well, the gradient of the ground at the outlet, and the soil absorbency (if no draining well is available).
- The SIPP Node ~~400~~ must not be in the way of other equipment, the outlet must not create ice patches when it's cold, and pumped out water must not be able to run back to the pit.
- *When in doubt – check station drawings.*
- Make sure the unit will not interfere with other equipment such as a service hatch for transformer, wires or similar.
- Determine whether it is best to mount the unit standing on the rim or sitting on the wall/splinter using the wall mounting plate.

2 Tools

- Concrete hammer drill with 10mm and 5mm drill
- Small spirit level with magnet
- Marker pen
- Hand sledge
- Spanner 15mm
- Philips screwdriver long bit
- Knife
- Extension cable
- Hose clamp key 7mm hexagonal
- Screwdriver
- Stripper
- Heat gun

3 Consumables

- Metal clips for 12mm hose/cable
- Plug 5mm
- Stainless steel screw 4x22mm
- Rubberized ring clamps for 35mm hose
- Cable ties, large and small
- Anchor bolt M10, 70mm

4 Installation

4.1 Mounting on rim, only possible for SIPP Node 2000

- Place the installation pole on the rim or the wall bracket on the rim edge, mark the holes and then drill a 55 mm deep hole using a 10mm concrete drill.
- Knock in an expansion bolt so that it bottoms and about 15 mm protrudes (leave the nut in place when the bolt is knocked in).
- Fasten the installation pole to the wall bracket.

4.2 Mounting on wall splinter

- Hold the wall bracket at the selected mounting height. Mark one of the upper holes with a marker pen.
- Drill 55 mm deep using the 10mm concrete drill and knock in the expander bolt.
- Install the cabinet provisionally; use the spirit level to mark the remaining holes.
- Drill the three remaining holes; knock in the anchor bolts and install the cabinet permanently. Check it is level and adjust if necessary with a hammer.

4.3 Mounting the unit

- Lower the pump into the drain well and place it on the bottom. Use the chain and pin for fixation.
- Measure the length of the hose needed from the pump to the unit.
- Also, measure the length needed for the return hose; the hose should be directed back into the pit but not directed back down towards the pump, and the outlet for clean water.
- Cut all hose to the correct length.
- Attach the hose coupling female in both ends of the hose "from pump". Use the heat gun to thread the hose on to the couplings and secure with hose clamps.
- Attach the hose coupling female on one end and male on the other end on both the return hose and clean water hose. Use the heat gun to thread the hose on to the couplings and secure with hose clamps.

NOTE:

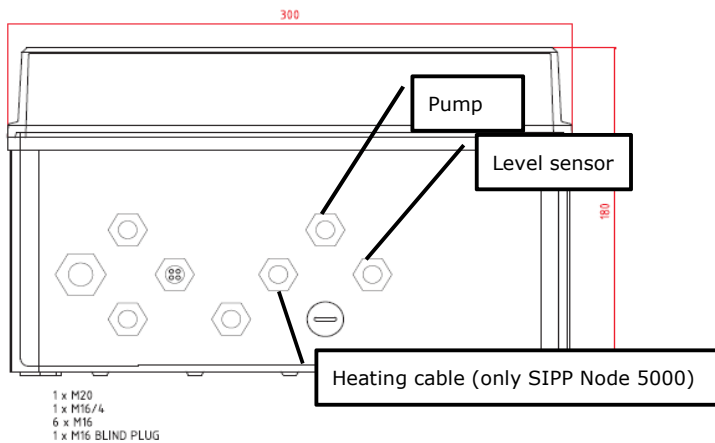
Make sure the fall is right for runoff and that a siphon cannot form in the hose. Consider possible burial of drainage pipes or leading the outlet to a draining well.

- Fit the outlet hose. Make sure the water does not flow back into the pit and the ground at the outlet can receive water. Consider using the trickle tube for clean water if needed.
- Mount the hose for dirty water. The hose must be directed back into the pit, but should not be aimed directly at the pump. Use the trickle tube for unclean water to avoid too much stirring of the water.
- Connect the suction hose to the pump, ~~insert the heating cable in the hose and tighten the connection of the heating cable in the cabinet (only SIPP Node 5000).~~
- Put the temperature sensor out through the bushing at the right in the cabinet bottom, for measuring temperature outside the cabinet.

- Mount the level sensor [on to the pump according to the picture below](#). It is important that the bottom part of the sensor is positioned right above the inlet of the pump to get correct system readings, about 70mm from the bottom of the drain well.

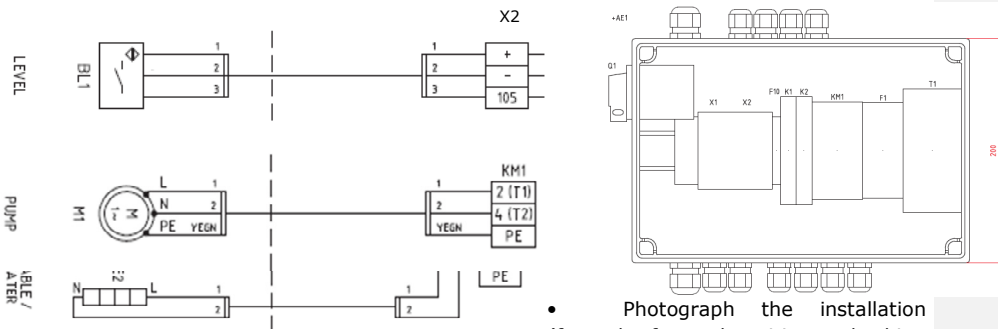


- Insert the connector through the same bushing through which the temperature sensor protrudes.
- Insert the pump connector through the bushing located on the left.
- Insert all connectors to the connection box as shown below.



- Connect the level sensor [and](#), pump [and heating cable](#) in the connection box as shown below.

Formaterat: Indrag: Vänster: 1,27 cm, Ingen numrering



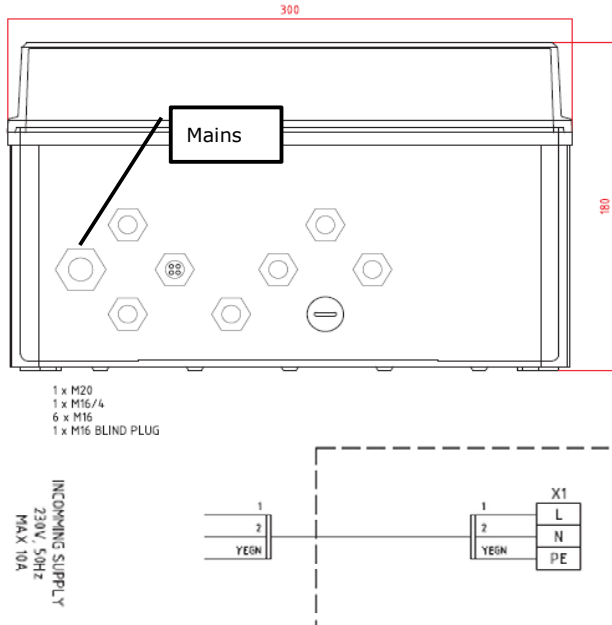
- Photograph the installation (from the front, the wiring and tubing

installation).

- The installation is now ready for commissioning.

6.5 Electrical installation

- The customer is responsible for carrying out the electrical installation.
- SIPP Node 2000 and 5000 are permanently installed units to be supplied with 230VAC and protected with 16A-T or 10A-D.
- The power cable is connected to plint X1 in the connection box ~~the unit's main switch~~. ~~Light on indicates voltage to the switch~~. To turn on the power to the device turn the switch from 0 to 1.



7.6 Commissioning

For commissioning, use the template *Installation protocol for the SIPP Node*.

- Check the placement and installation of the unit.
- Configure and document in the SIPP Warehouse.
- Verify and document all points according to the installation protocol deployment phase using the service interface.

7.7 Documentation

The documentation, including installation protocol and photographs, should be filed. Information about the installation should be shared with the customer. The installation protocol should be signed and sent to the customer for approval.