

**DRY CLEANED 2 PIECES BALL VALVE FOR OXYGEN**

ISO 9001:2008

BUREAU VERITAS  
Certification



**Size :** DN 1/4" to 2"  
**Ends :** Female BSP  
**Min Temperature :** - 20°C  
**Max Temperature :** + 200°C  
**Max Pressure :** 63 Bars  
**Specifications :** For oxygen  
PTFE filled with glass seat  
Anti blow-out stem  
Atex  
Dry cleaned for oxygen

**Materials :** Stainless steel

**DRY CLEANED 2 PIECES BALL VALVE FOR OXYGEN**

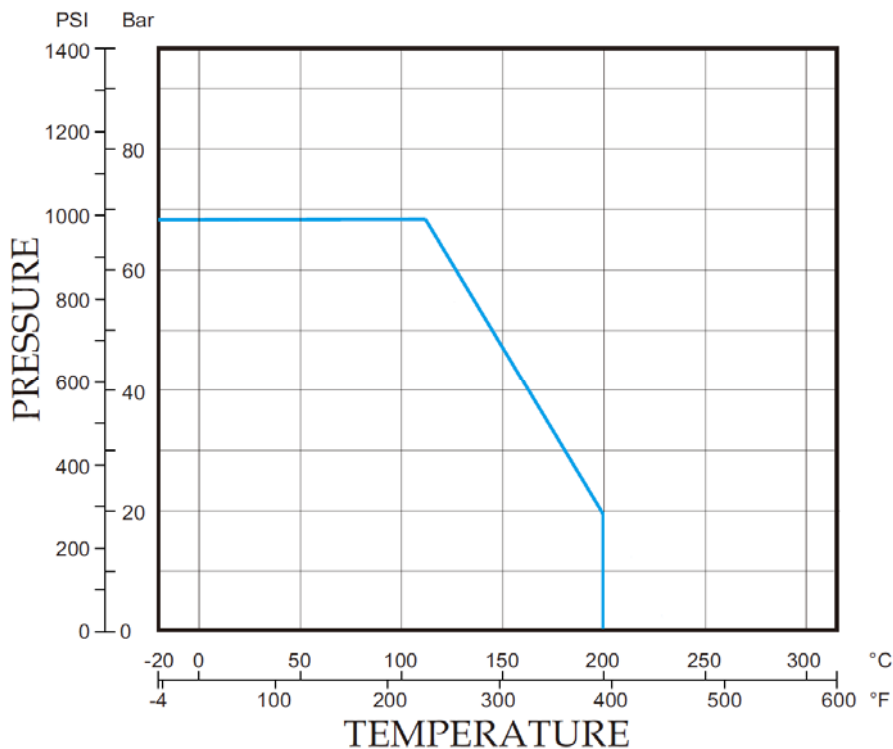
**SPECIFICATIONS :**

- Full bore
- Anti blow-out stem
- PTFE filled with glass seat
- Locking handle
- Atex
- Double antistatic device
- 2 pieces type
- Solid ball
- Dry cleaned for oxygen

**USE :**

- For oxygen
- Min and max Temperatures Ts : -20°C to + 200°C
- Max Pressure Ps : 63 bars ( see graph )

**PRESSURE / TEMPERATURE GRAPH (STEAM EXCLUDED) :**



**RANGE :**

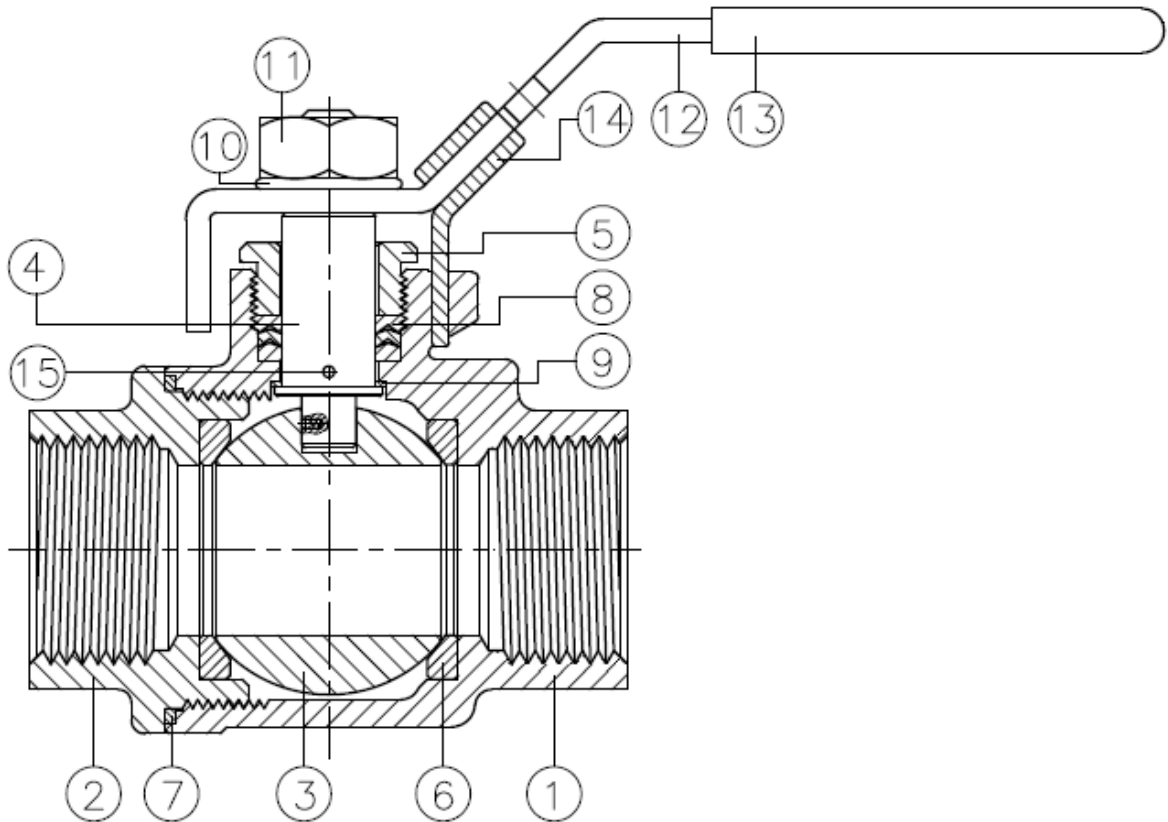
- Dry cleaned stainless steel ball valve for oxygen **Ref. 71430** from DN 1/4" to DN 2"

**ENDS :**

- Female / female threaded BSP cylindrical ends

**DRY CLEANED 2 PIECES BALL VALVE FOR OXYGEN**

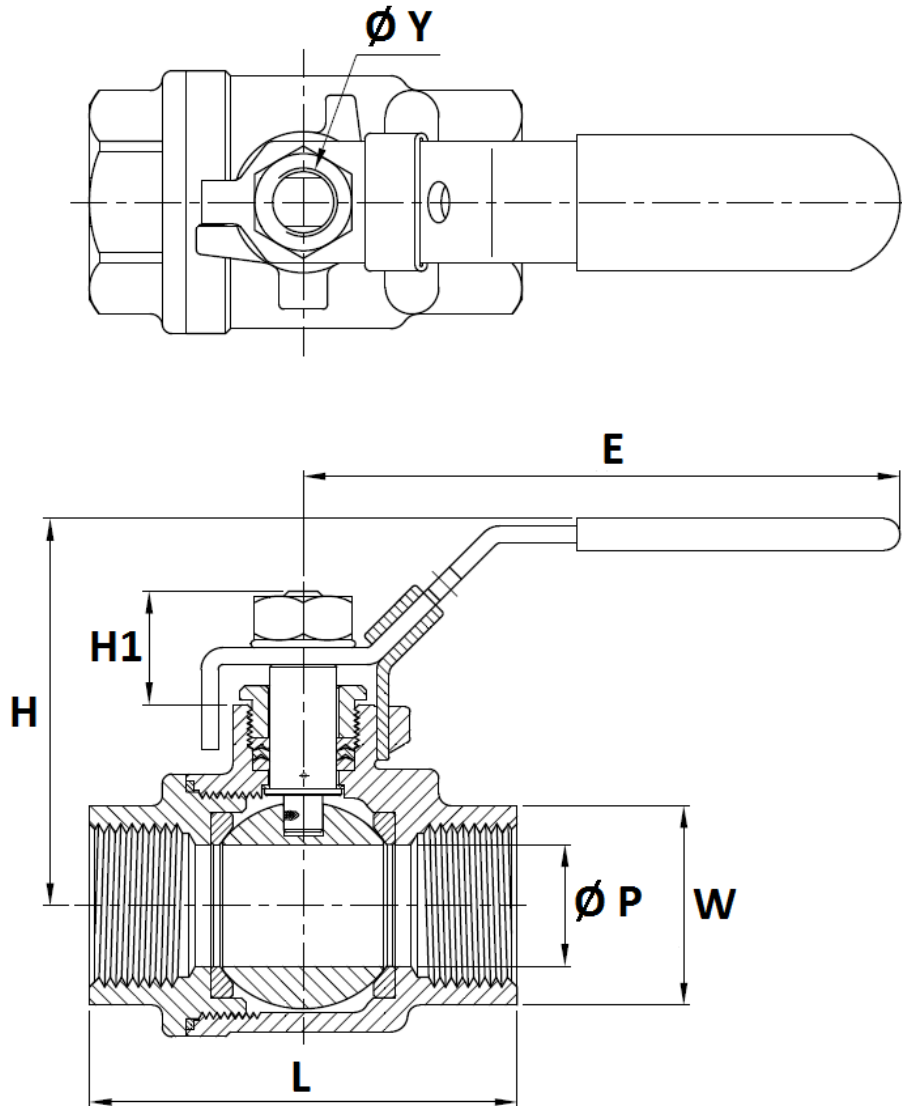
**MATERIALS :**



Item	Designation	Materials
1	Body	ASTM A351 CF8M
2	Ends	
3	Ball	
4	Stem	ASTM A276-316
5	Packing nut	AISI 304
6	Seat	PTFE filled with 15% glass fiber
7	Body gasket	PTFE
8	Packing	
9	Gasket	
10	Washer	AISI 304
11	Handle nut	
12	Handle	
13	Handle cover	PVC
14	Locking device	AISI 304
15	Antistatic device	AISI 316

**DRY CLEANED 2 PIECES BALL VALVE FOR OXYGEN**

SIZE ( in mm ) :



Ref.	DN	1/4"	3/8"	1/2"	3/4"	1"	1"1/4"	1"1/2"	2"
71430	Ø P	11.6	12.5	15	20	25	32	38	50
	L	50.8	50.8	58	65.6	78.7	90	105	124
	E	100	100	100	125	149	149	190	190
	H	58.5	58.5	58.5	63.5	78	83	102	108
	Ø Y	3/8"-24UNF	3/8"-24UNF	3/8"-24UNF	7/16"-20UNF	7/16"-20UNF	7/16"-20UNF	1/2"-20UNF	1/2"-20UNF
	Weight (Kg)	0.200	0.200	0.300	0.470	0.760	1.1	1.8	2.7

**DRY CLEANED 2 PIECES BALL VALVE FOR OXYGEN**
**FLOW COEFFICIENT Kvs ( M3 / h ) :**

DN	1/4"	3/8"	1/2"	3/4"	1"	1"1/4	1"1/2	2"
Kvs ( m3/h )	19	22	34	62	98	170	247	427

**TORQUE VALUES ( in Nm without safety coefficient ) :**

DN	1/4"	3/8"	1/2"	3/4"	1"	1"1/4	1"1/2	2"
Torque ( Nm )	3.5	4	5.5	7.5	11	15	20	40

**STANDARDS :**

- Fabrication according to ISO 9001 : 2008
- DIRECTIVE 97/23/CE : CE N° 0035  
Risk category III Module H
- Pressure tests according to API 598, table 6
- Female cylindrical BSP threaded ends according to ISO 7/1 Rp
- ATEX Group II Category 2 G/2D Zone 1 & 21 Zone 2 & 22 ( optional marking )

**ADVICE :** Our opinion and our advice are not guaranteed and SFERACO shall not be liable for the consequences of damages.  
The customer must check the right choice of the products with the real service conditions.

**DRY CLEANED 2 PIECES BALL VALVE FOR OXYGEN****INSTALLATION AND MAINTENANCE****BEFORE INSTALLATION :**

Pipe-line must be cleaned and free from residual of weldings, rubbish, shaving and every kind of extraneous materials.  
Pipe-line must be perfectly aligned and their support properly dimensioned so that there's no external constraint.

Please use the right product according to the services conditions to seal the valve.  
Use the right bolt tightening so that the ends won't be damaged.

**CLEANING AND TESTS**

Keep closed the valves during the cleaning operation so that there's no impurities between the ball and the body.

Tests under pressure must be done with a cleaned pipe-line.

Open partially the valve for tests. Pressure test do not exceed the valve specifications according to API 598.

**MAINTENANCE**

It's recommended to operate the valve twice ( open and close ) 1 to 2 times per year.

When intervention on the valve, be sure there's no pressure in the pipe-line, there's no fluid in it, and that it is isolated.  
The temperature must be low enough to operate without risks.  
If there's a corrosive fluid, inert installation before intervention.

**When the valve is under pressure :**

If there's a leakage at the packing, tighten it slightly so that the leakage disappears.