

**WAFER BUTTERFLY VALVE PERFORMANCE RANGE
DUCTILE IRON BODY WITH BRONZE-ALU DISC AND NBR SEAT**



- Size :** DN 32 to 600 mm
Ends : Between flanges PN10/16, Class 150 and JIS10K*
Min Temperature : - 10°C
Max Temperature : + 90°C
Max Pressure : 16 Bars up to DN300 (10 bars over)
Specifications : Long neck for isolation
Bronze-alu C958 disc
Full crossing stem (up to DN65)
NBR seat
With ISO 5211 mounting pad

Materials : Ductile iron body EN GJS-400-15

* according to DN

**WAFER BUTTERFLY VALVE PERFORMANCE RANGE
DUCTILE IRON BODY WITH BRONZE-ALU DISC AND NBR SEAT**

SPECIFICATIONS :

- Long neck for isolation
- ISO 5211 mounting pad
- Wafer type
- Between flanges PN10/16 from DN32 to 600, Class 150 (PN20) from DN40 to 600 and JIS10K from DN40 to DN300
- Full crossing stem (up to DN65)
- Removable NBR seat
- 9 positions lever up to DN150 and 12 positions lever from DN200 to 300, locking device in opened position
- Bronze-alu C958 disc
- Epoxy RAL 5012 electrostatic painting coated body

USE :

- Cold and hot water, sea water
- Min and max Temperature Ts : - 10°C to + 90°C
- Max Pressure Ps : 16 bars up to DN300, 10 bars over

RANGE :

- With lever from DN 32-40 to DN 300
- With gearbox from DN350 to 600
- Possible with gearbox **Ref. 1192** from DN 32-40 to DN 300

ENDS :

- Between flanges PN10/16 from DN32 to 600, Class 150 (PN20) from DN40 to 600 and JIS10K from DN40 to DN300

TORQUE VALUE (Nm, without safety coefficient) at 16 Bars :

DN	32-40	50	65	80	100	125	150	200	250	300
Torque (Nm)	11	15.1	17.2	23.1	39.8	61.9	102	192	323	490

TORQUE VALUE (Nm, without safety coefficient) at 10 Bars :

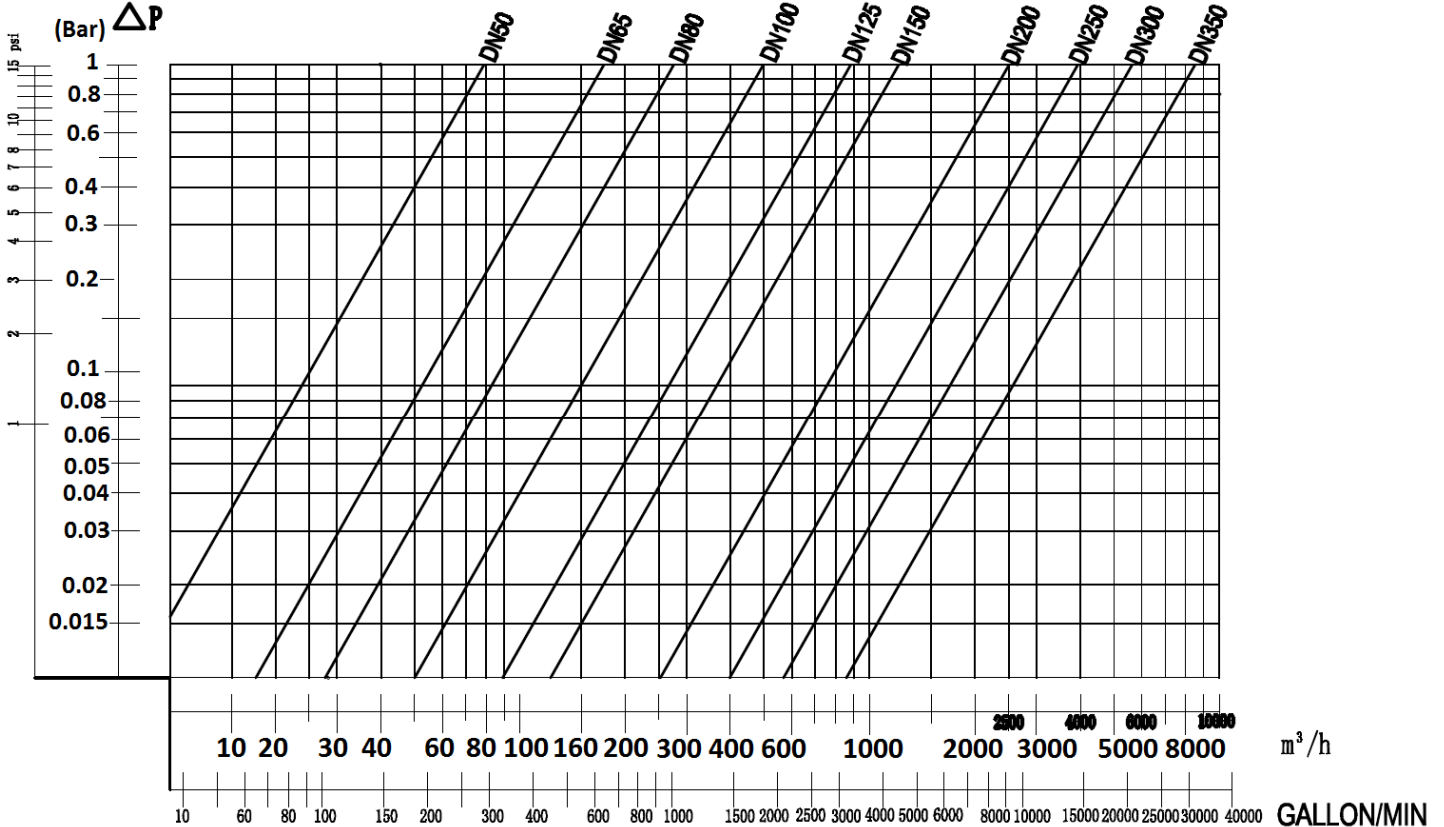
DN	350	400	450	500	600
Torque (Nm)	550	755	1012	1350	2111

**WAFER BUTTERFLY VALVE PERFORMANCE RANGE
DUCTILE IRON BODY WITH BRONZE-ALU DISC AND NBR SEAT**

FLOW COEFFICIENTS Kv (m3 / h) :

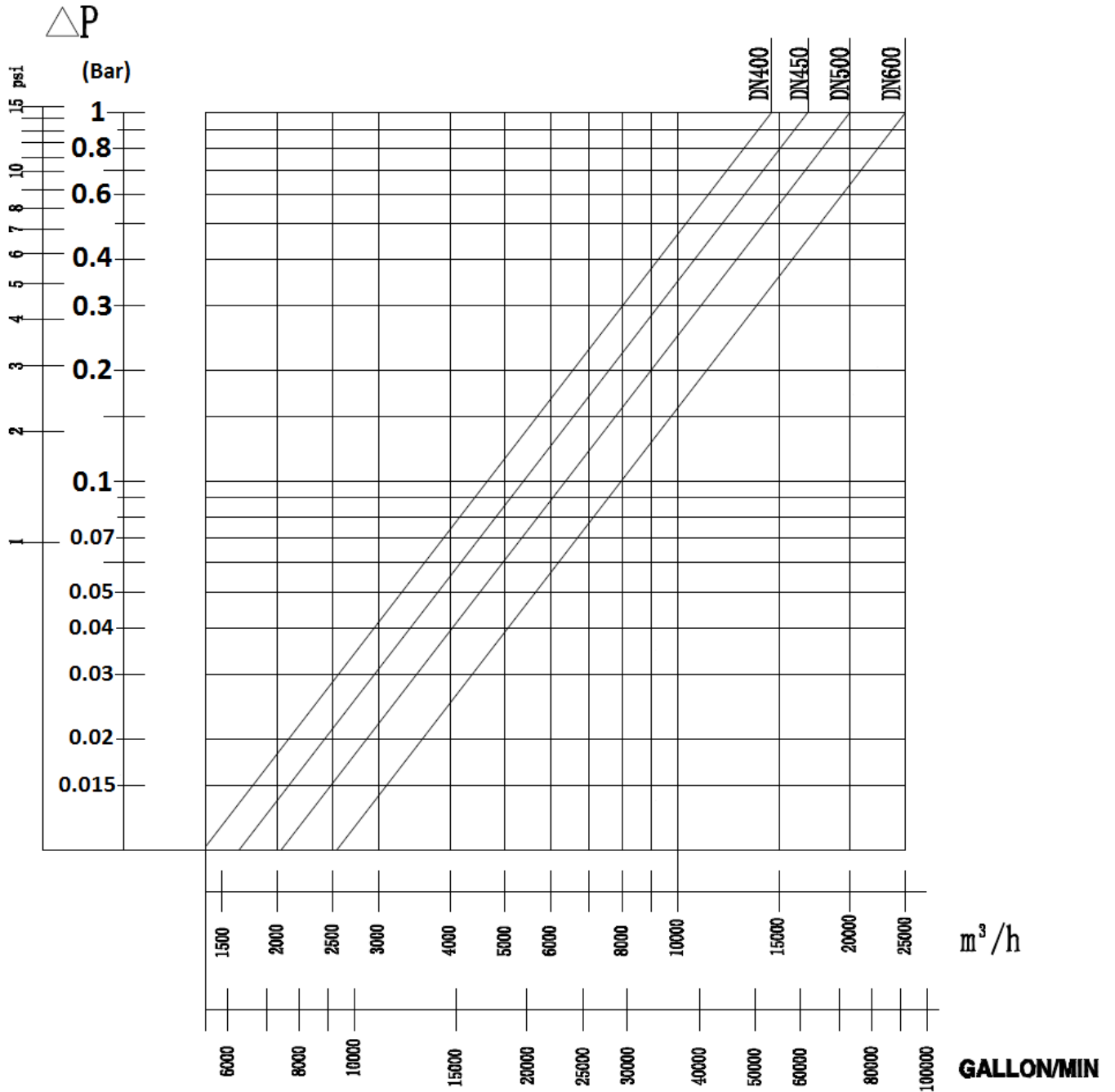
Kv	OPENING ANGLE								
	10°	20°	30°	40°	50°	60°	70°	80°	90°
50	0,05	2,6	6,0	13	23	38	60	90	99
65	0,09	5	10	21	39	64	102	153	168
80	0,17	8	15	33	60	99	157	236	259
100	0,26	15	31	67	119	197	312	468	514
125	0,43	25	52	114	203	336	531	797	876
150	0,69	39	81	176	314	518	821	1231	1353
200	1,7	76	161	350	623	1030	1631	2446	2687
250	2,6	129	274	595	1060	1754	2776	4164	4576
300	3	201	424	919	1638	2710	4289	6433	7069
350	5	290	613	1327	2366	3914	6195	9292	10212
400	7	398	842	1825	3254	5383	8519	12779	14043
450	9	527	1116	2418	4308	7129	11284	16925	18599
500	12	678	1411	3109	5540	9167	14508	21762	23914
600	19	1047	2217	4803	8560	14163	22414	33621	36946

HEAD LOSS GRAPH DN50-350 :



**WAFER BUTTERFLY VALVE PERFORMANCE RANGE
DUCTILE IRON BODY WITH BRONZE-ALU DISC AND NBR SEAT**

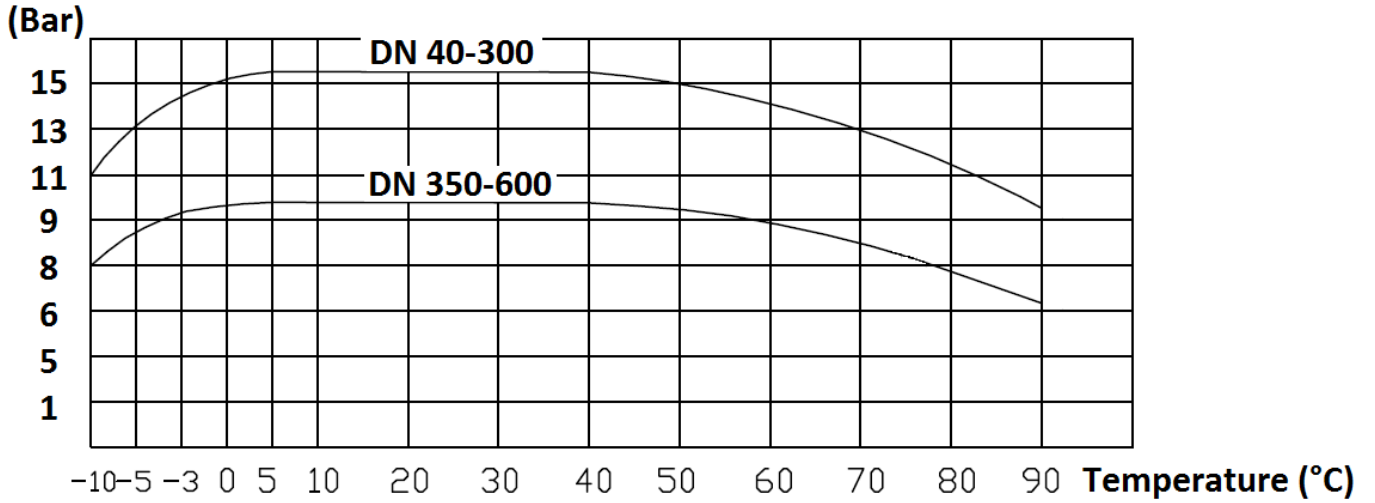
HEAD LOSS GRAPH DN400-600 :



**WAFER BUTTERFLY VALVE PERFORMANCE RANGE
DUCTILE IRON BODY WITH BRONZE-ALU DISC AND NBR SEAT**

PRESSURE / TEMPERATURE GRAPH (STEAM EXCLUDED) :

Pressure

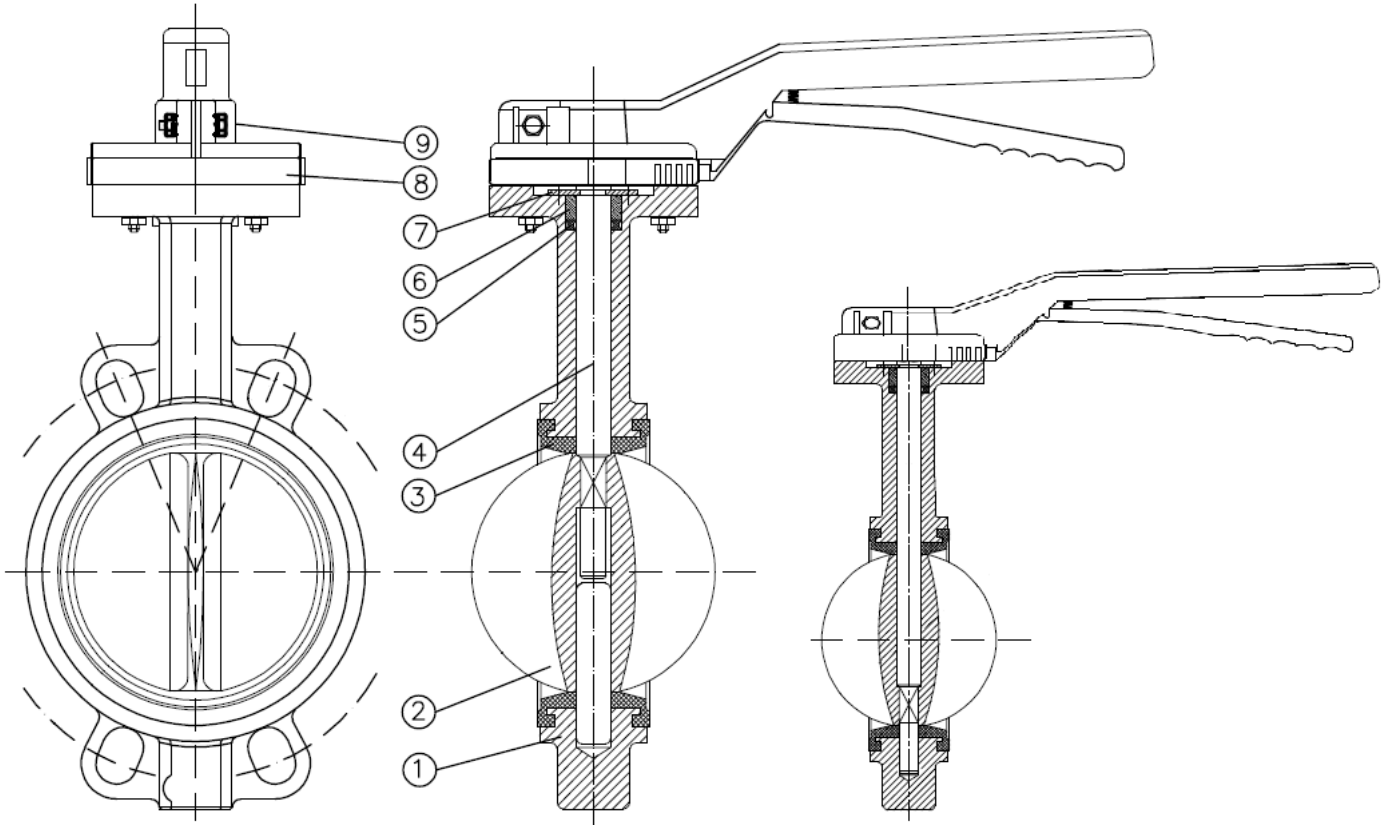




REF. 1174

**WAFER BUTTERFLY VALVE PERFORMANCE RANGE
DUCTILE IRON BODY WITH BRONZE-ALU DISC AND NBR SEAT**

MATERIALS :



DN 80 – 600*

DN 32/40 - 65

Item	Designation	Materials
1	Body	Ductile iron EN GJS-400-15
2	Disc	Bronze-alu C958
3	Seat	NBR
4	Stem	SS 416
5	Gasket	NBR
6	Bushing	PTFE
7	Circlips	Steel
8	Plate	Aluminium
9 (* up to DN300)	Lever	Aluminium

