

**HIGH PRESSURE BALL VALVE**



**Size :** DN 1/4" to 2"  
**Ends :** Threaded Female BSP  
**Min Temperature :** -10°C  
**Max Temperature :** + 100°C  
**Max Pressure :** 315 – 500 Bars  
**Specifications :** Reduced bore  
High pressure  
Hydraulic type

**Materials :** Galvanized steel

**HIGH PRESSURE BALL VALVE**

**SPECIFICATIONS :**

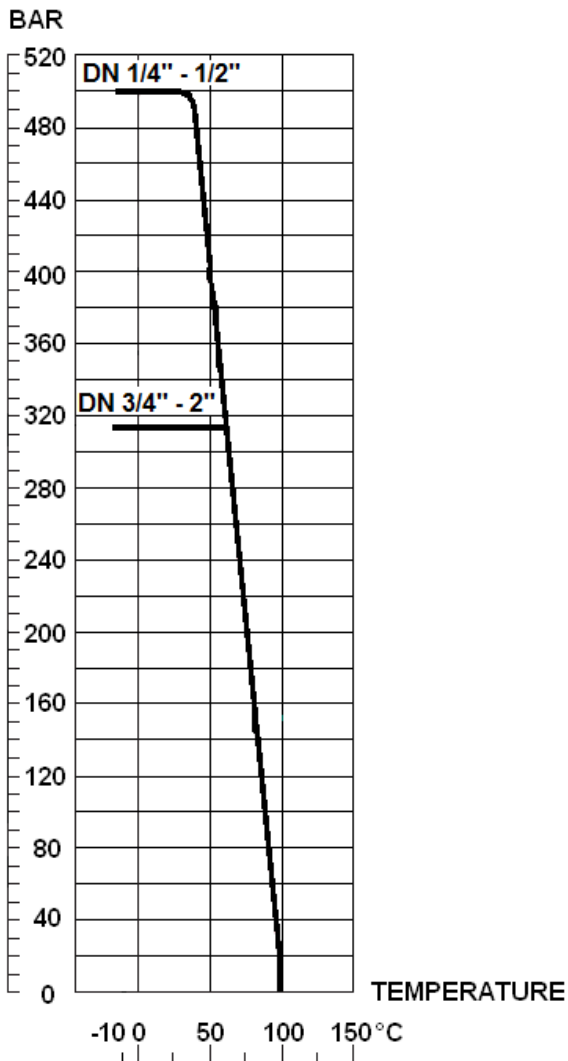
- Reduced bore
- Galvanized steel
- High pressure
- Hydraulic type

**USE :**

- For all common fluids
- Min and max Temperature Ts : -10°C to + 100°C
- Max Pressure Ps : 500 bars from DN1/4" to 1/2" and 315 over ( see graph )

**PRESSURE / TEMPERATURE GRAPH ( STEAM EXCLUDED ) :**

**PRESSURE**



**HIGH PRESSURE BALL VALVE****FLOW COEFFICIENT Kvs ( M<sup>3</sup>/h ):**

DN	1/4"	3/8"	1/2"	3/4"	1"	1"1/4	1"1/2	2"
Kvs ( m <sup>3</sup> /h )	4.2	6	30.2	53.7	90.6	90.6	245.2	364.5

**RANGE :**

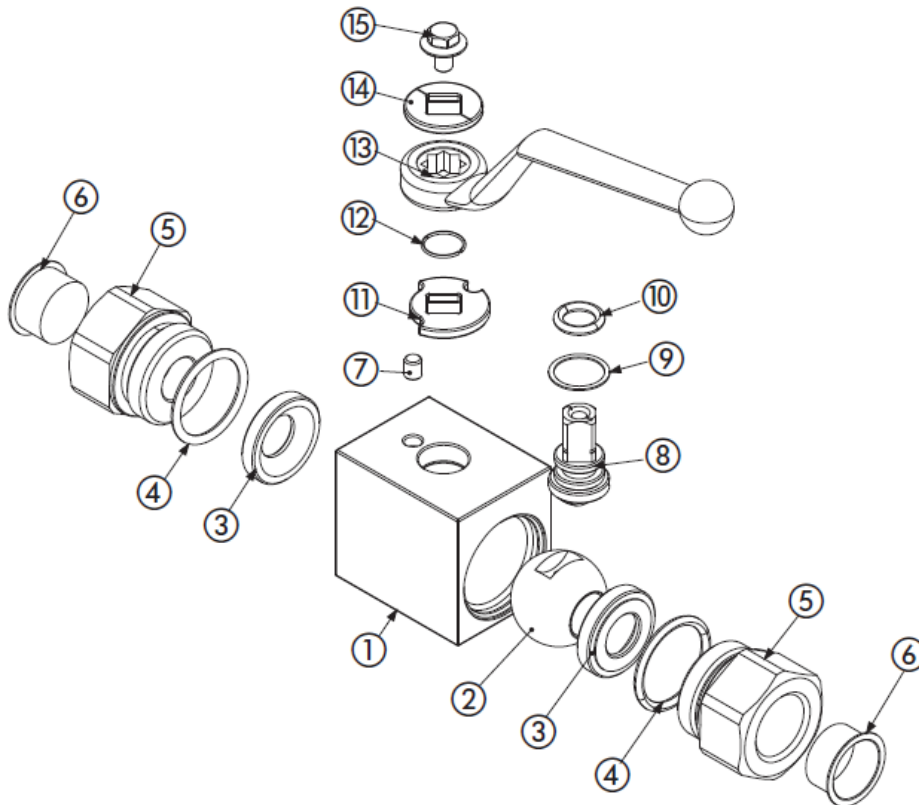
- High pressure ball valve with galvanized steel body **Ref. 799** DN 1/4" to 2"

**ENDS :**

- Threaded cylindrical female BSP

## HIGH PRESSURE BALL VALVE

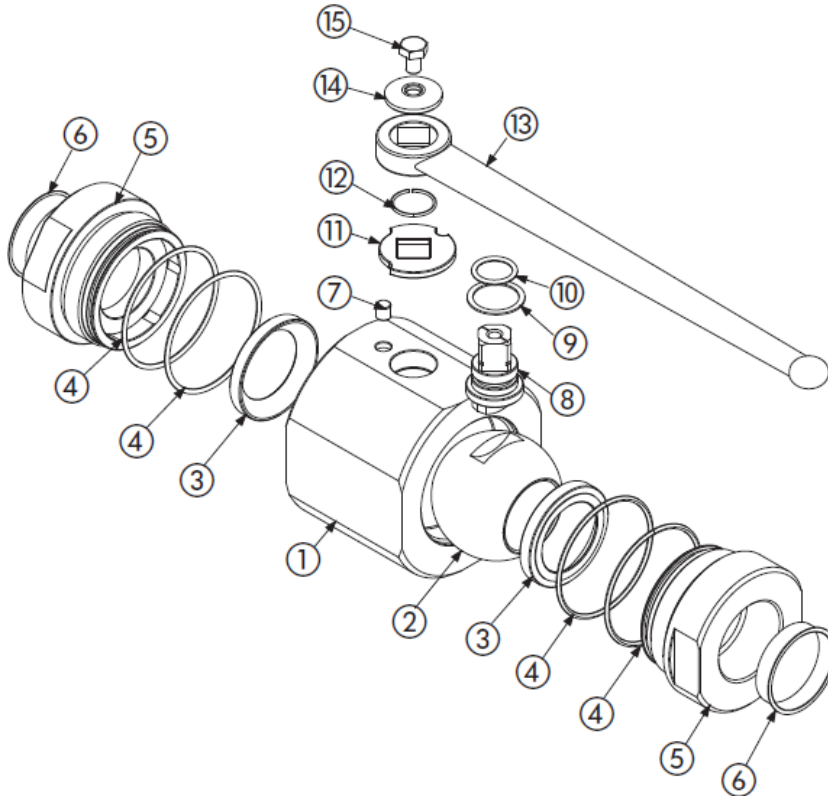
MATERIALS DN1/4" - 1"1/4: :



Item	Designation	Materials DN 1/4" - 1"1/4
1	Body	Galvanized 1.0737 steel
2	Ball	Chromed 1.0737 steel
3	Seat	POM
4	O-ring	NBR
5	Ends	Galvanized 1.0737 steel
6	Caps	PVC
7	Spine	Steel 1.0737
8	Stem	Steel 1.0737
9	Stem seal	POM
10	O-ring	NBR
11	Washer	Steel 1.0116
12	Seeger	Steel 1.4301
13	Handle	Aluminium
14	Handle washer	Steel 1.0116
15	Handle screw	Steel DIN 6921 8.8

**HIGH PRESSURE BALL VALVE**

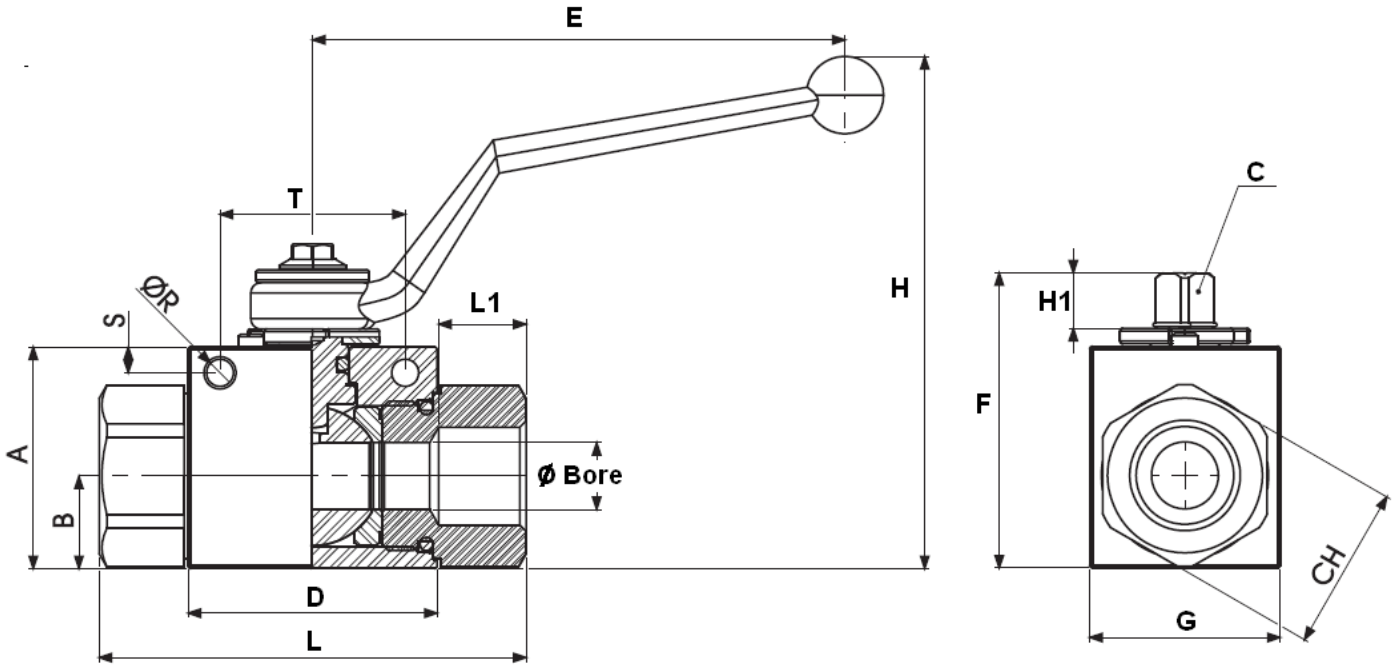
MATERIALS DN1"1/2 - 2":



Item	Designation	Materials DN 1"1/2 - 2"
1	Body	Galvanized 1.0570 steel
2	Ball	Chromed 1.0737 steel
3	Seat	POM
4	O ring	NBR
5	Ends	Galvanized 1.0570 steel
6	Caps	PVC
7	Spine	Steel 1.0737
8	Stem	Steel 1.0737
9	Stem gasket	POM
10	O ring	NBR
11	Washer	Steel 1.0116
12	Seeger	Steel 1.4301
13	Handle	Steel 1.0116
14	Washer	Steel 1.0737
15	Handle screw	Steel ISO 4017 8.8

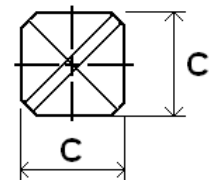
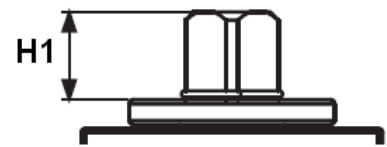
**HIGH PRESSURE BALL VALVE**

SIZE DN1/4" - 1"1/4 ( in mm ):



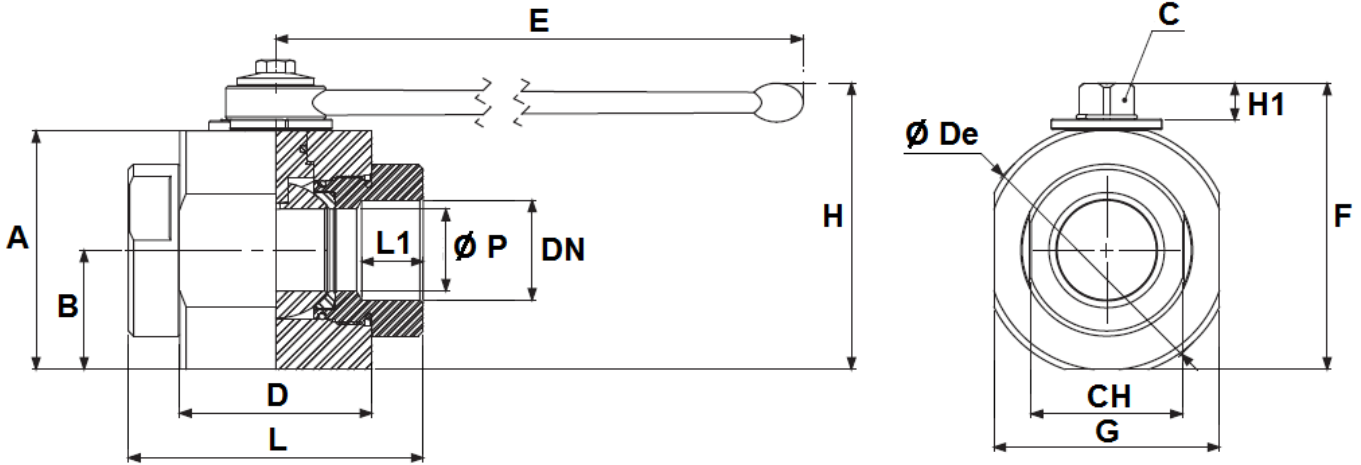
Stem size :

Ref.	DN	1/4"	3/8"	1/2"	3/4"	1"	1"1/4
799	Ø Bore	6	10	13	20	25	25
	L	71	73	83	95	112	120
	L1	15.5	15.5	17	21	24	24
	E	110	110	110	180	180	180
	H	91.5	96.5	99.5	106.5	116.5	116.5
	H1	11	11	11	14	14	14
	A	35	40	43	55	65	65
	B	14.5	17.4	18	23.4	29.5	29.5
	C	9	9	9	14	14	14
	CH	24	30	32	41	50	55
	D	42.4	44.4	48.4	62.5	66.5	66.5
	F	49	54.25	57	73.5	83.5	83.5
	G	30	35	37	45	55	55
	Ø R	5.25	5.25	5.25	6.25	6.25	6.25
	S	4.5	4.5	5	6	6	6
T	34	34	36	50	50	50	
Weight ( Kg )	0.49	0.644	0.757	1.438	2.223	2.273	

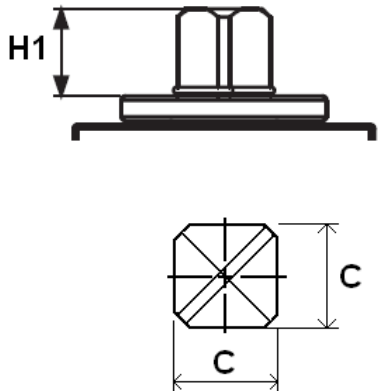


**HIGH PRESSURE BALL VALVE**

SIZE DN1"1/2 - 2" ( in mm ) :



Stem size :



Ref.	DN	1"1/2	2"
799	Ø P	40	50
	L	131	140
	L1	25	27
	E	300	300
	H	134.5	141.5
	H1	13.5	13.5
	A	107	114
	B	53.5	57
	C	17	17
	CH	75	85
	D	85	98
	F	125.5	132.5
	G	102	118
	Ø De	113	123
Weight (in Kg)	7.39	9.05	

