

2 PIECES BALL VALVE 800 LBS



Size : DN 1/4" to DN 2"
Ends : Threaded female cylindrical BSP, NPT or S.W.
Min Temperature : - 30°C in S.S. and - 20°C in carbon steel
Max Temperature : + 180°C
Max Pressure : 138 Bars (800 lbs)
Specifications : Anti blow-out stem
Fire safe
Full bore

Materials : Carbon steel or Stainless steel

2 PIECES BALL VALVE 800 LBS**SPECIFICATIONS :**

- Full bore
- Anti blow-out stem
- Class 800 lbs
- Fire safe according to BS 6755 part.2
- Antistatic device
- 2 pieces type

USE :

- For all common fluids
- Min and max Temperature Ts : - 30°C to + 180°C for stainless steel type **Ref.716**
- Min and max Temperature Ts : - 20°C to + 180°C for carbon steel type **Ref.717**
- Max Pressure PN : 138 bars

RANGE :

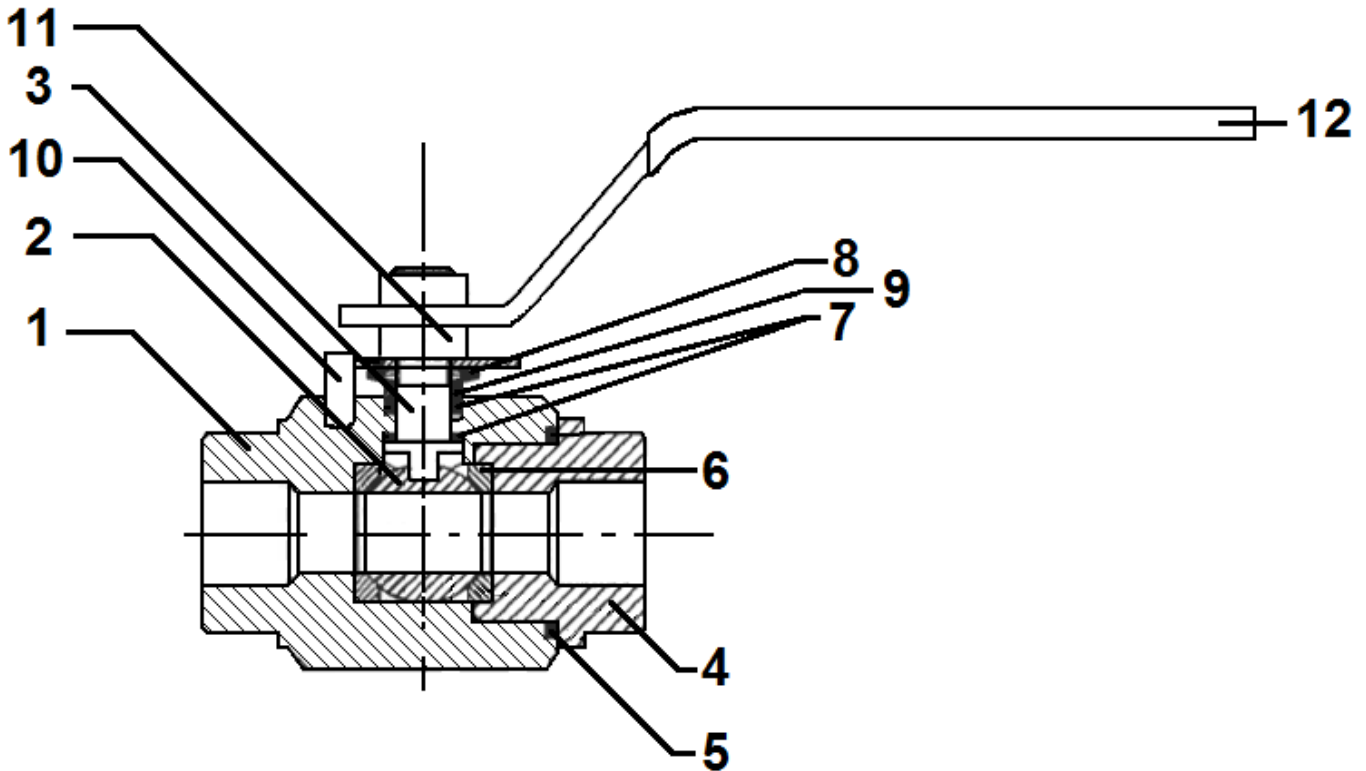
- Carbon steel **Ref. 717** DN 1/4" to DN 2"
- Stainless steel **Ref. 716** DN 1/4" to DN 2"
- Stainless steel 304 with red cover handle **Ref. 9830316-9830318**
- Locking device **Ref. 9830313-9830315**

ENDS :

- Female / female threaded cylindric BSP **Ref. 716 and 717**
- Female / female threaded cylindric NPT **Ref. 7161 and 7171**
- Socket Welding ends **Ref. 7162 and 7172**

2 PIECES BALL VALVE 800 LBS

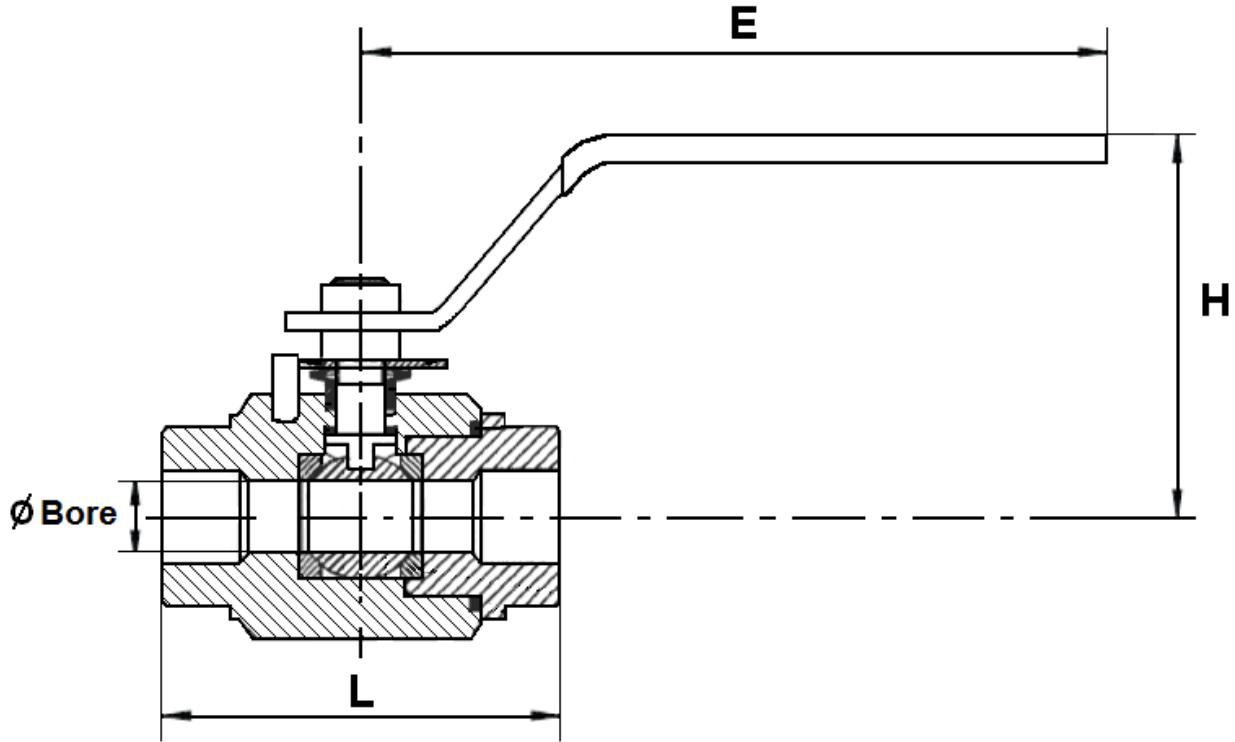
MATERIALS :



Item	Designation	Materials 717	Materials 716
1	Body	ASTM A105	ASTM A182 F316
2	Ball	ASTM A182 F316	
3	Stem	ASTM A182 F316	
4	Ends	ASTM A105	ASTM A182 F316
5	Body gasket	Carbongraphite	
6	Seat	PTFE + carbongraphite	
7	Stem gasket	Carbongraphite	
8	Disc springs	Steel	
9	Packing gland	ASTM A105	F304
10	Stop	FE P11 (UNI 5867)	
11	Nut	Steel 6S	
12	Handle	FE P11 (UNI 5867)	

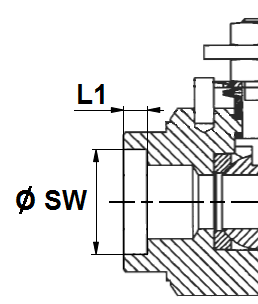
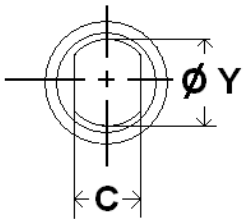
2 PIECES BALL VALVE 800 LBS

SIZE (in mm) :



Stem size :

SW ends size (Ref.7162 and 7172) :



Ref.	DN	8	10	15	20	25	32	40	50
716 / 717	Ø Bore	10	10	15	20	25	30	38	48
	L	67	67	75	90	105	120	135	155
	E	148	148	148	180	180	240	240	280
	H	72	72	75	85	95	100	105	115
	C	5	5	5.5	7.5	7.5	9	9	9
	Ø Y	8	8	10	12	12	14	14	14
	Ø SW	14.3	17.8	21.8	27.3	34	42.6	48.7	61.3
	L1	9.5	9.5	9.5	11.5	13	14	16	17
Weight (Kg)	0.6	0.6	0.8	1.5	2	3.3	4.5	6	

2 PIECES BALL VALVE 800 LBS

STANDARDS :

- Fabrication according to ISO 9001 : 2000
- DIRECTIVE 97/23/CE : CE N° 0948
- Tests according to API 598
- Fire safe according to B.S. 6755 part.2
- Threaded female BSP cylindrical ends according to ISO 228/1
- Threaded female NPT ends according to ANSI B2.1
- Materials according to NACE MR 01-75 on request

ADVICE : Our opinion and our advice are not guaranteed and SFERACO shall not be liable for the consequences of damages. The customer must check the right choice of the products with the real service conditions.

INSTALLATION AND MAINTENANCE

BEFORE INSTALLATION :

- Pipe-line must be cleaned and free from residual of weldings, rubbish, shaving and every kind of extraneous materials.
- Pipe-line must be perfectly aligned and their support properly dimensioned so that there's no external constraint.
- Please use the right product according to the services conditions to seal the valve.
- Use the right bolt tightening so that the ends won't be damaged.
- **During welding operation, for S.W. types half open the valve and do not exceed 120°C (to protect the seat)**

CLEANING AND TESTS

- Keep closed the valves during the cleaning operation so that there's no impurities between the ball and the body.
- Tests under pressure must be done with a cleaned pipe-line.
- Open partially the valve for tests. Pressure test do not exceed the valve specifications according to API 598.

MAITENANCE

- It's recommended to operate the valve (open and close) 1 to 2 times per year.
- When intervention on the valve, be sure there's no pressure in the pipe-line, there's no fluid in it, and that it is isolated.
- The temperature must be low enough to operate without risks.
- If there's a corrosive fluid, inert installation before intervention.